

# SATURN S4

AUTOMATIC ROTARY RING STRETCH WRAPPER

MEDIUM  
CAPACITY

UP TO

70

pallets/hour



THE BEST  
ALTERNATIVE TO  
THE ROTATING  
ARM

# MOVITEC

WRAPPING TECHNOLOGY

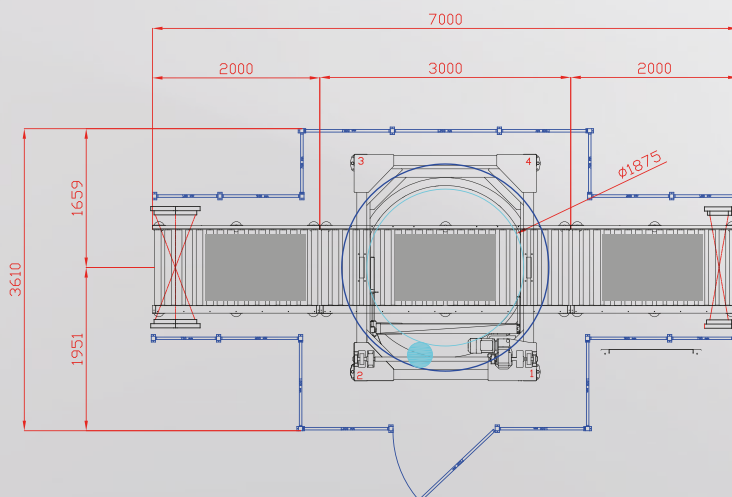
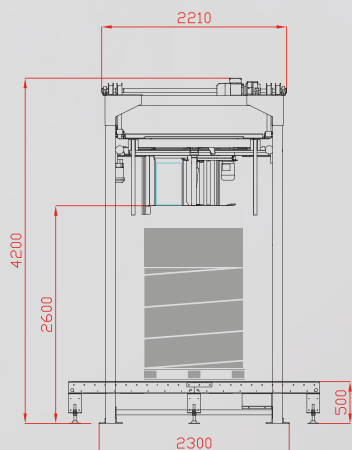
we dare to try anything

# SATURN S4

## AUTOMATIC ROTATING RING STRETCH WRAPPING MACHINE



- **MAXIMUM CAPACITY:** up to 70 pallets/hour.
- Maximum quality, high performance and minimum maintenance.
- It is the best alternative to the rotating arm wrapping machine: more balanced, with less mechanical wear and maintenance.
- **Guaranteed savings of stretch film:** 300% film pre-stretching. 1m of film becomes 4m.
- Finishing without tails of film thanks to our efficient cut and welding device.
- Electronic and self-adjusting tension control depending on the profile of the load.
- Possibility of applying efficient dustproof and rainproof wrappings.
- Possibility of wrapping at ground level.
- Capable of applying bands (strips) at any height of the load.

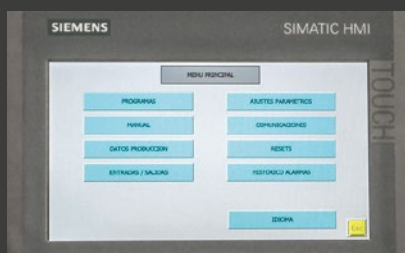


### TECHNICAL PROPERTIES

- Voltage: 3 x 400 Vac / 50Hz +N +PE
- Power supply: 4,5 kW
- Compressed air: 6 bar
- Air consumption: 8 l/cicle
- Air consumption with top film: 64 l/cicle

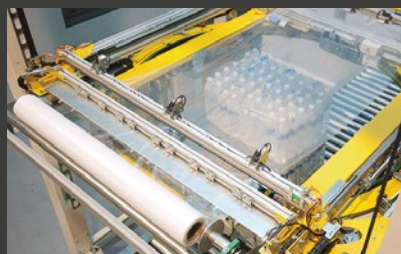
#### STRETCH WRAPPING FILM:

- Maximum width: 500 mm
- Maximum diameter: 300 mm
- Core diameter: 76 mm
- Film thickness: up to 35 mcr

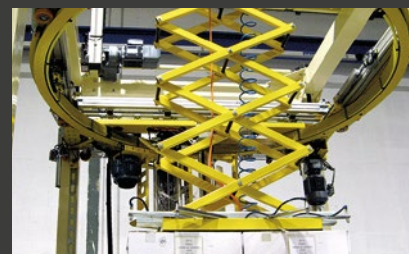


Touch panel

### OPTIONALS



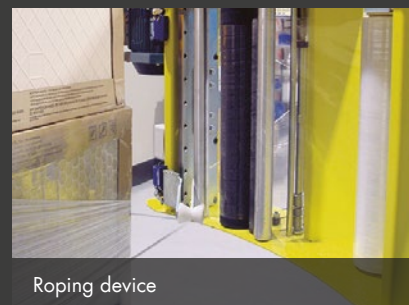
Top sheet dispenser



Motorized hold down plate



QuickLoad: Quick change of the reel



Roping device

C. Pallars Sobirà, 16 · Pol. Industrial La Nora. 25660 · Alcoletge [Lleida] · SPAIN  
Tel.[+34] 973 184 059 · Fax [+34] 973 184 008 · comercial@movitec-ws.com