

SATURN S2

AUTOMATIC ROTARY RING STRETCH WRAPPER

LOW
CAPACITY
UP TO
45
pallets/hour



✓
THE BEST
ALTERNATIVE
TO THE
TURNTABLE

MOVITEC

WRAPPING TECHNOLOGY

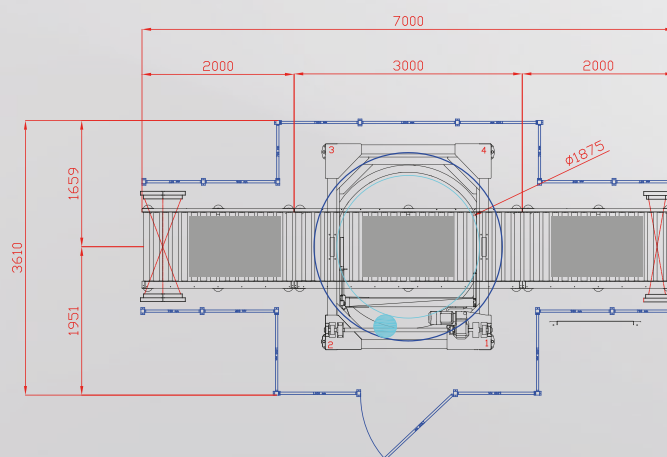
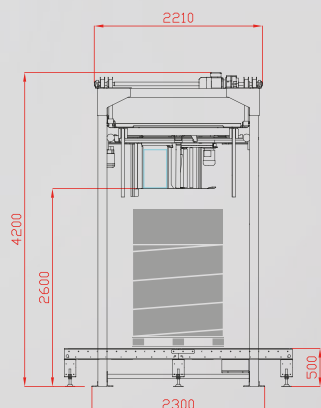
we dare to try anything

SATURN S2

AUTOMATIC ROTATING RING STRETCH WRAPPING MACHINE



- **LOW CAPACITY:** up to 45 pallets/hour.
- Maximum quality, high performance and minimum maintenance.
- It is the best alternative to the turntable wrapping machine: more balanced, with less mechanical wear and maintenance. The load remains static: the film reels rotate around the load.
- Guaranteed savings of stretch film: 300% film pre-stretching. 1 m of film becomes 4 m.
- Finishing without tails of film thanks to our efficient cut and welding device.
- Electronic and self-adjusting tension control depending on the profile of the load.
- Possibility of applying efficient dustproof and rainproof wrappings.
- Possibility of wrapping at ground level.
- Capable of applying bands (strips) at any height of the load.



TECHNICAL PROPERTIES

- Voltage: 3 x 400 Vac / 50Hz +N +PE
- Power supply: 3 kW
- Compressed air: 6 bar
- Air consumption: 8 l/cicle
- Air consumption with top film: 64 l/cicle

STRETCH WRAPPING FILM:

- Maximum width: 500 mm
- Maximum diameter: 300 mm
- Core diameter: 76 mm
- Film thickness: up to 35 mcr

SIEMENS SIMATIC HMI

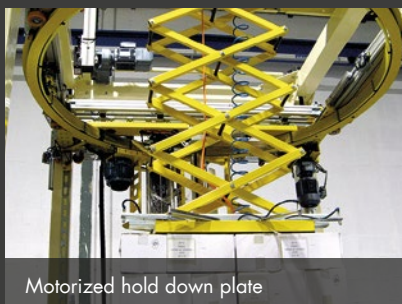


Touch panel

OPTIONALS



Top sheet dispenser



Motorized hold down plate



Roping device

C. Pallars Sobirà, 16 · Pol. Industrial La Nora. 25660 · Alcoletge [Lleida] · SPAIN
Tel.[+34] 973 184 059 · Fax [+34] 973 184 008 · comercial@movitec-ws.com